

Weyn-Lauwers N.V.

Industriepark-Noord 12
B - 9100 SINT-NIKLAAS

Tel. : 00 32 (0)3 776.34.13
Fax : 00 32 (0)3 778.09.52
weynlauwers@weynlauwers.be
www.weynlauwers.be

**BUTTERFLY VALVES
LUG TYPE
SS DISC
fig 260G**

DESIGN FEATURES

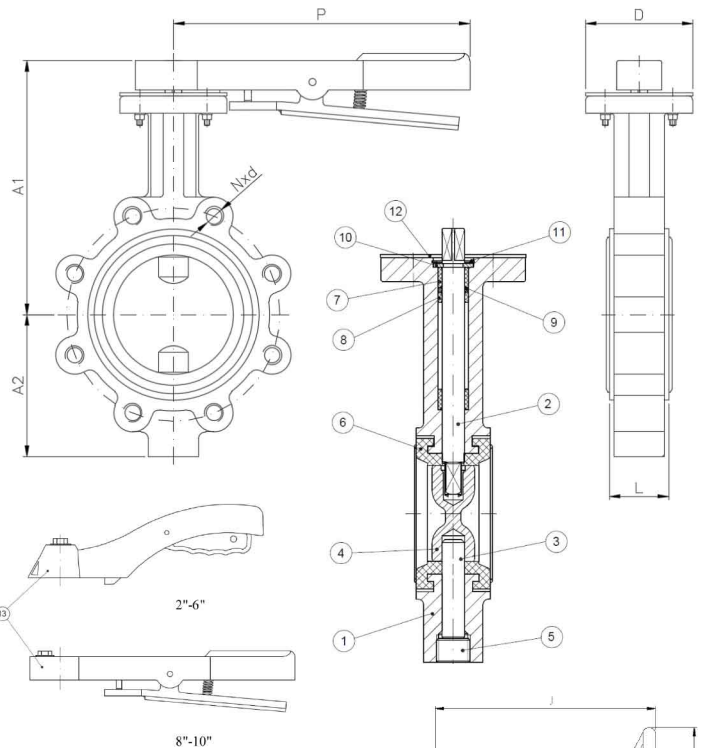
- **LUG type butterfly valve** dn50 - dn300 PN10/16
- temp : -20°C +120°C
- specifications :
 - SS disc / EPDM body seat
 - installation between flanges pn10/16
 - mounting plate ISO 5211
 - face to face UNE EN 558-1 serie 20 (DIN 3202 K1)
 - 12" handling with gear box

USE

- for all common fluids
- 16 bar up to dn150 / 10 bar for dn200 - dn300

MATERIALS

item	Part name	Material
1	body	ductile iron GGG40
2	stem	SS 316
3	pivot	SS 316
4	disc	SS 316
5	plug	carbon steel
6	seat	EPDM
7	bush	PTFE + graphite
8	bush	PTFE + graphite
9	O-ring	NBR
10	washer	bronze
11	stop ring	steel
12	plate	steel
13	handle (2"-6")	aluminium
13	handle (8"-10")	cast iron GG20



SIZE (in mm)

DN	50	65	80	100	125	150	200	250	300
Pmax(bar)	16	16	16	16	16	16	10	10	10
L	43	46	46	52	56	56	60	68	78
A1	190	190	195	215	240	240	280	325	351
A2	79	93	103	120	133	158	180	216	251
J									240
P	270	270	270	270	270	300	300	300	290
F	F07	F07	F04	F07	F07	F07/10	F07/10	F10	F10/12
S	11	11	11	14	14	17	17	22	22
D	90	90	90	90	90	90	125	125	150
H	30	30	30	30	30	30	30	40	40
Nm	12	20	27	40	60	90	120	180	340
kg	4,8	5,5	7,0	8,1	10,9	14,0	19,4	28,5	49,6
ref.	206102	206103	206104	206105	206106	206107	206108	206109	206110

